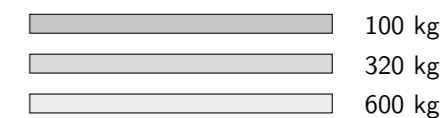
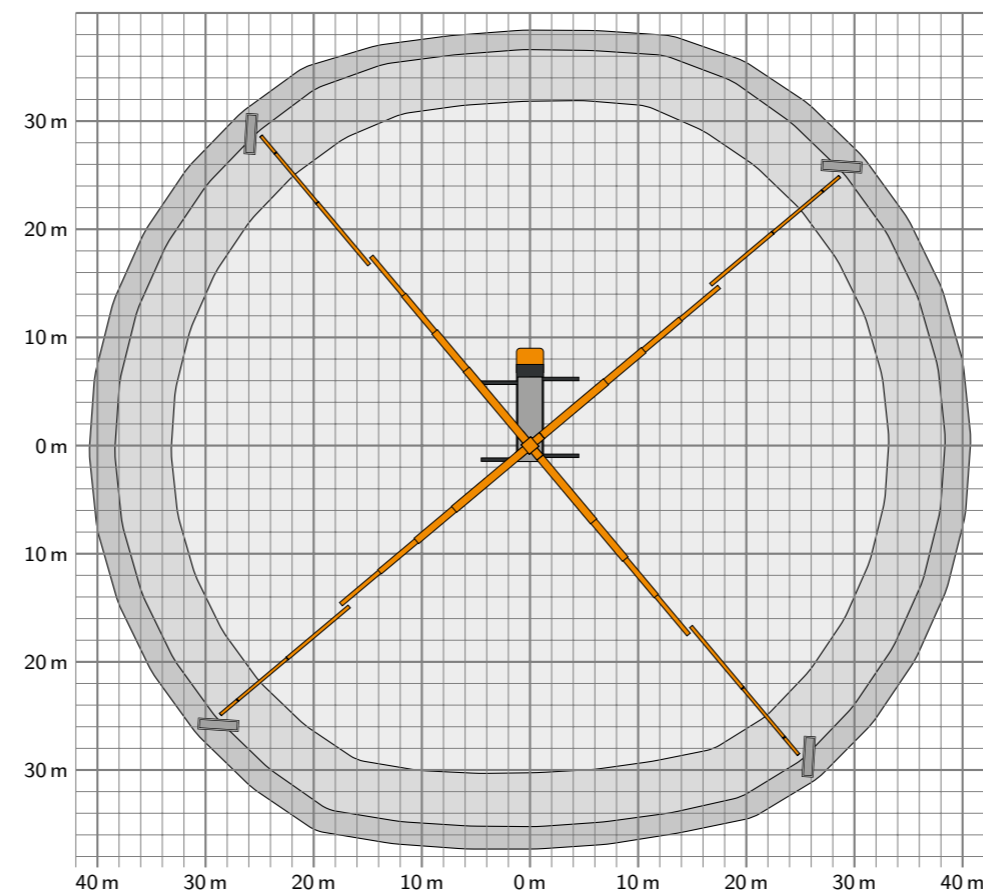
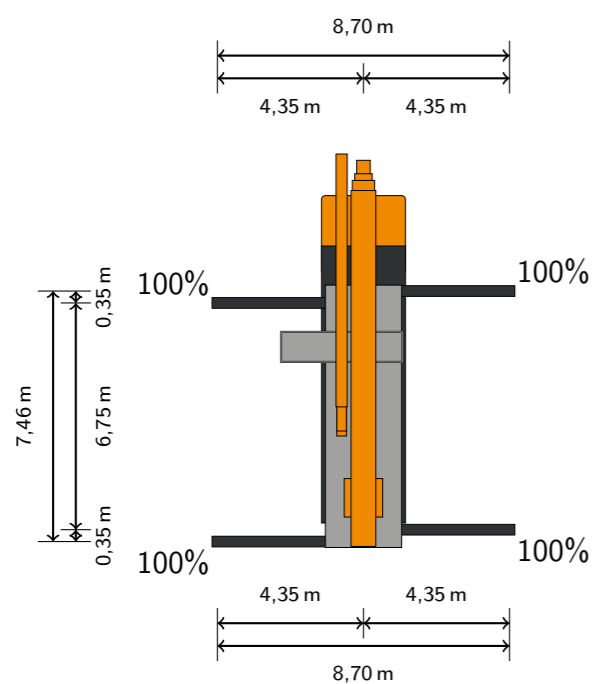
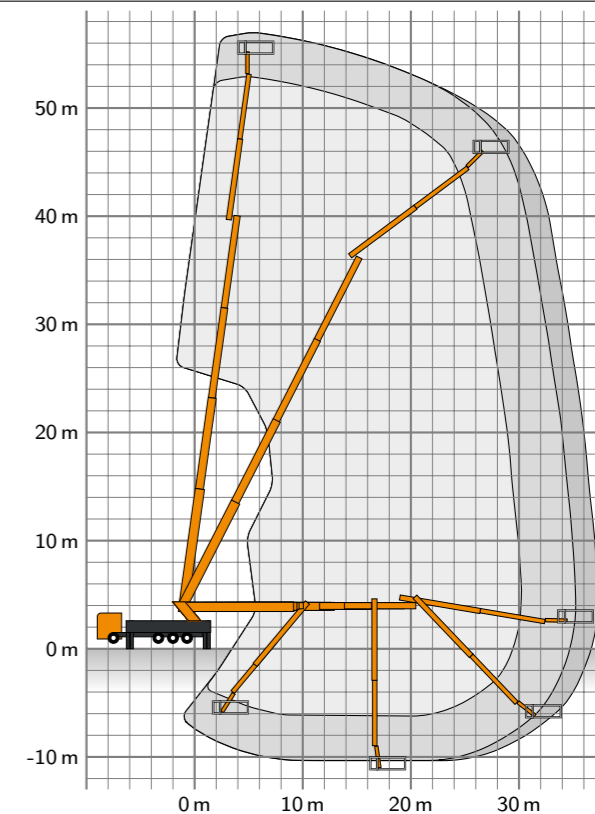
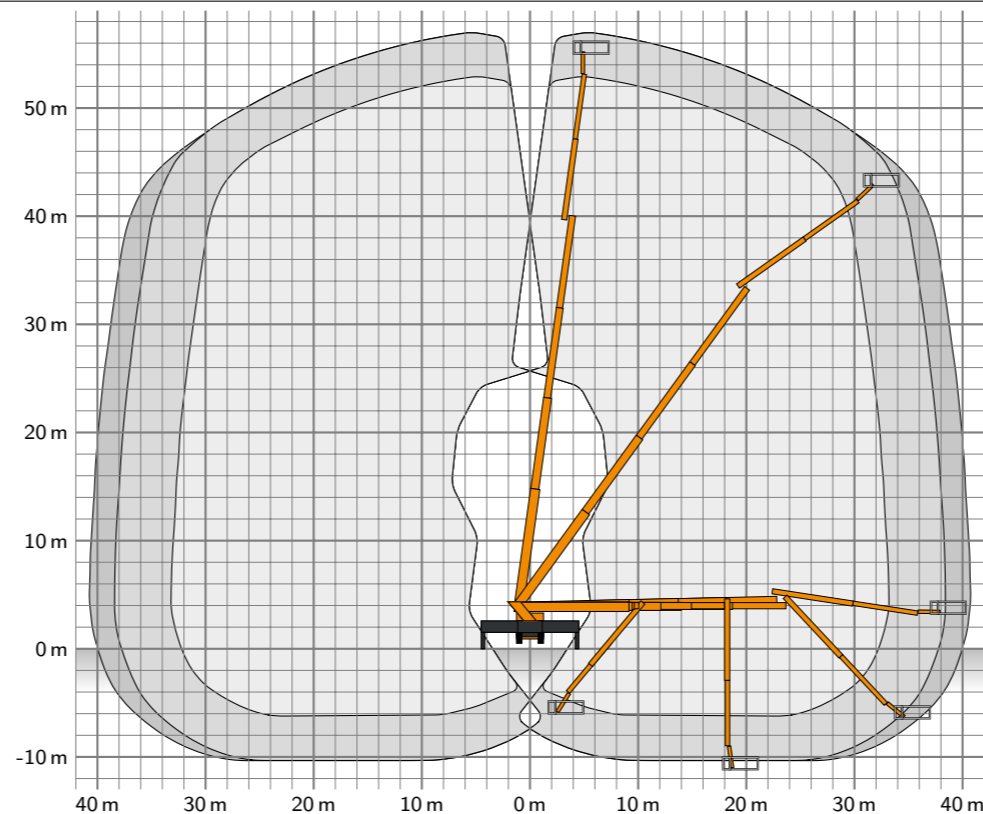
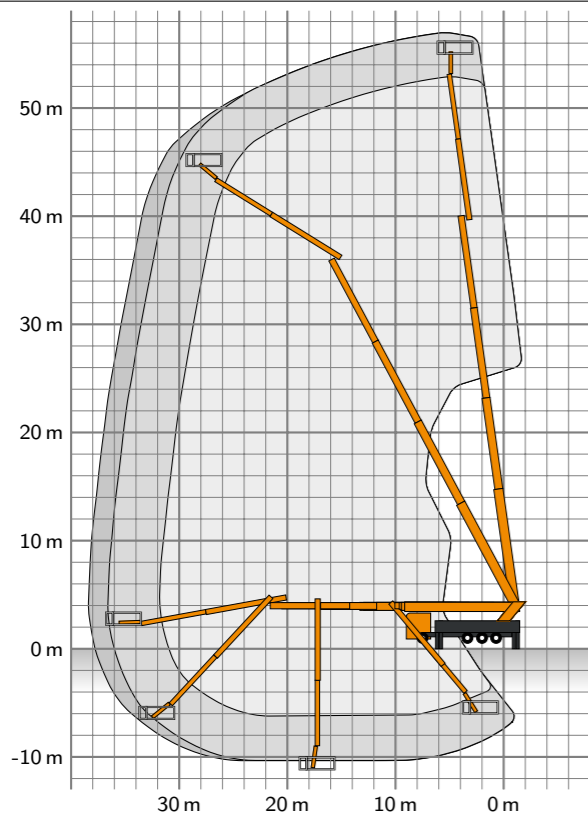
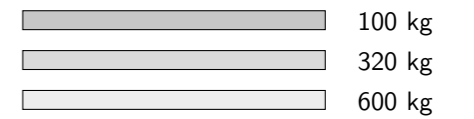
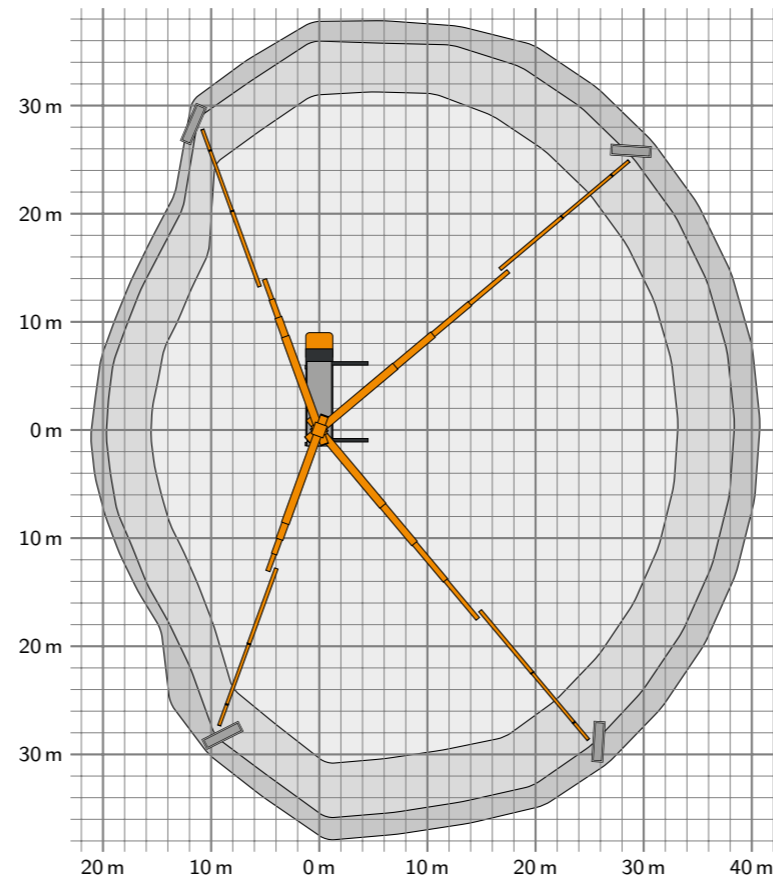
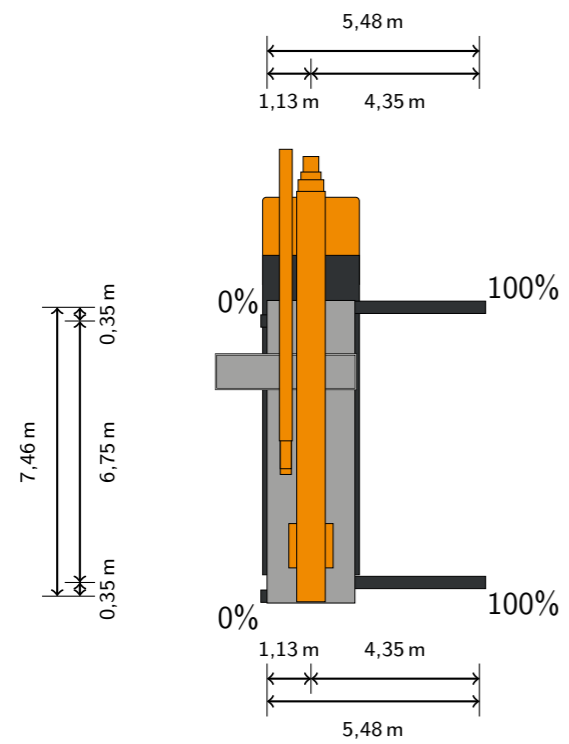
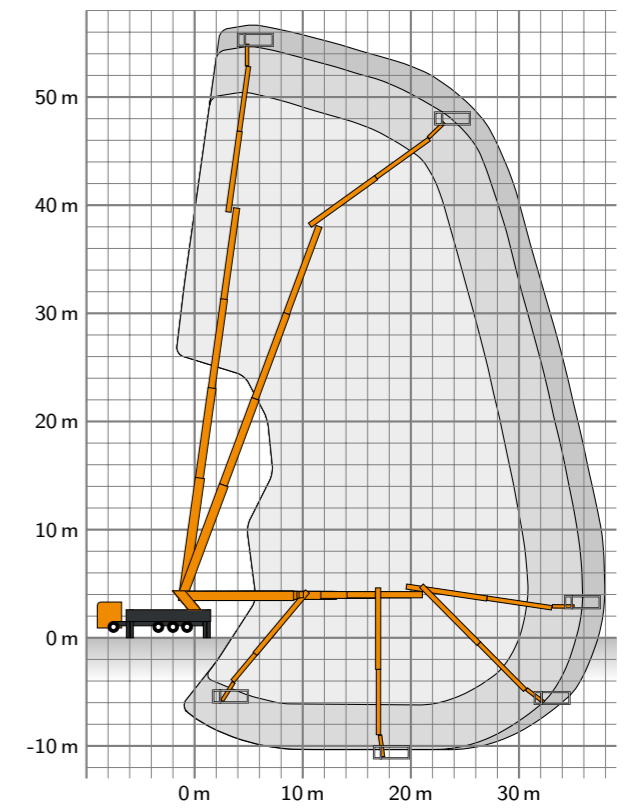
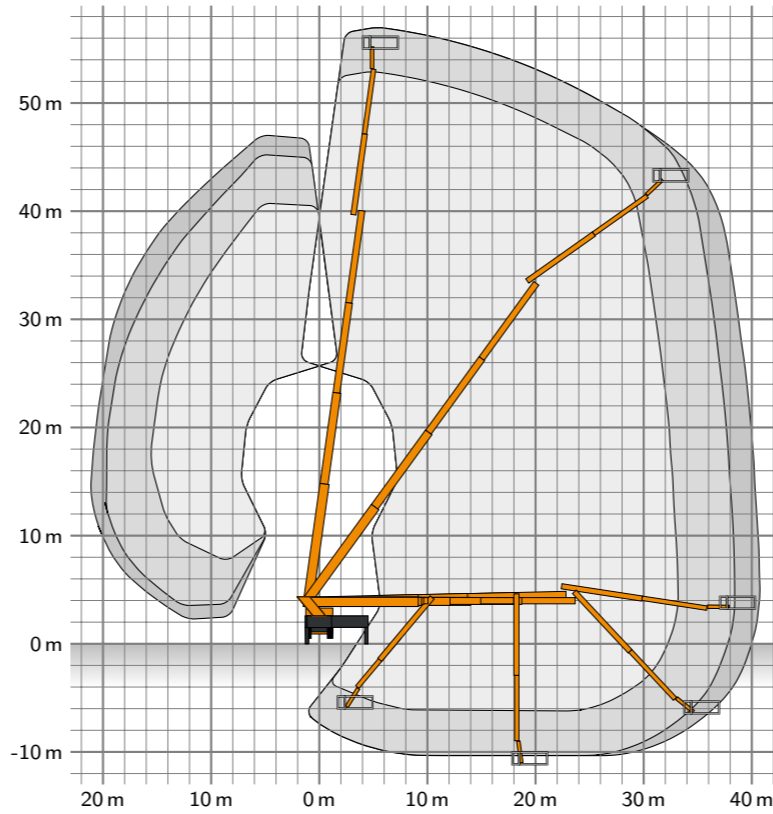
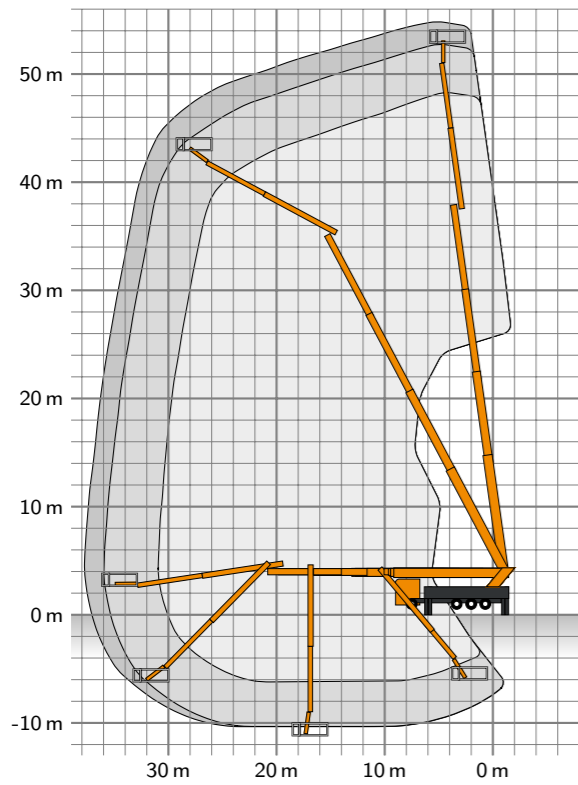





$l=2,55m$	A1 (max. 9000 kg) 7650 kg	A2 (max. 28000 kg) 20400 kg	Total (max. 32000 kg) 28050 kg
-----------	--	--	---

tolerance specifications										Status: released			Ruthmann Holdings GmbH www.ruthmann.de www.ruthmann.it			Weight: kg		Format: A4		Material		Quality standard	
Surface texture Rz in mm, DIN EN ISO 1302										QS			Description: T 570 flex-4A Scania P 450 B 8x4*4 NA 4150 CP20L		Drawing number: 33650		Scale 1:50		Sheet 1				
√	z	e	y	k	x	r	w	t	Cre.									Origin:		Subst.:			
Rz	1	2	4	8	16	31,5	63	125	⊖	Date	Name	Chg.No.	Rev.	Modification	Name	Date							



Description		Scale
Working area (theoretical) RUTHMANNSTEIGER® T 570 flex Scania P 450 B 8x4*4 NA 4150 CP20L		1:700
		Com. No. 33650
Ruthmann Holdings GmbH Ruthmannstr. 4 48712 Gescher Germany		Sheet 1
		No. Sheets 2
Working height max. 57,0 m	Outreach max. 40,8 m	
Date: 30th September 2022	Format: A3	FTA-jh



Description		Scale
Working area (theoretical) RUTHMANNSTEIGER® T 570 flex Scania P 450 B 8x4*4 NA 4150 CP20L		1:700
		Com. No. 33650
Ruthmann Holdings GmbH Ruthmannstr. 4 48712 Gescher Germany		Sheet 2
		No. Sheets 2
Working height max.  57,0 m	Outreach max.  40,8 m	
Date: 30th September 2022	Format: A3	FTA-jh